

Pressure Transmitter Data Sheet

Industrial Pressure Transmitter

Model: CMPT124B-215

Introduction

◆ With stainless steel welding encapsulated component and lightning proof isolation device, CMPT124B-215 (Explosion Proof: EXialICT4-6) has the character of corrosion proof, wide range temperature compensation, excellent linearity and diversifying output signal .This series can be suitable for liquid pressure measuring for explosion proof in automatization fields.

Application

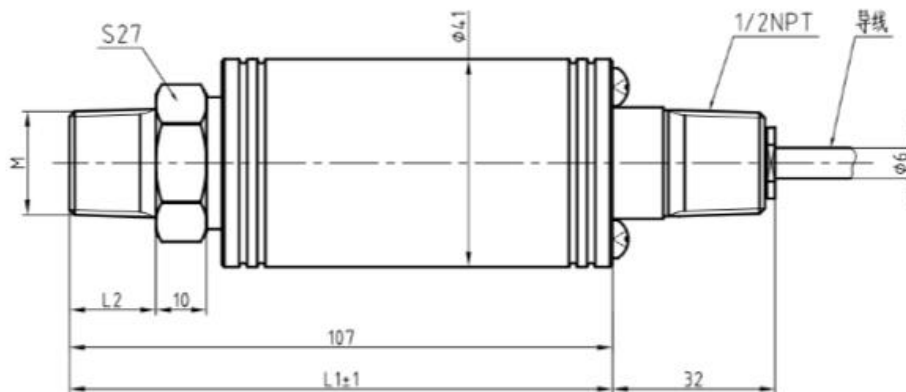
- ◆ Mechanical engineering
- ◆ Hydraulics/Pneumatics
- ◆ Gas tank pressure monitoring
- ◆ Industrial test and control
- ◆ General industrial applications

Features:

- ◆ Pressure Range:0...0.2bar to 0...600bar available
- ◆ Various standard Industrial signal output
- ◆ All stainless steel and anticorrosive
- ◆ Stronger anti-jamming ability
- ◆ High stability & high sensitivity
- ◆ Intrinsically safe & explosion proof construction



Dimensions(mm):



编号	a	b	c	d
M	R1/4	R1/2	NPT1/4	NPT1/2
L1	105	107	105	107
L2	15	17	15	17


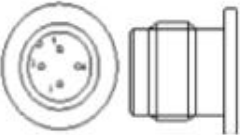
Pressure Transmitter Data Sheet

Remark: The standard accuracy is 0.5%, and size diameter is 26mm, if you need special (\varnothing 22mm, \varnothing 23mm, \varnothing 26mm, \varnothing 38mm), when order, please mention it, and we will send you the drawing to confirm.

Technical Characteristics

Model	CMPT124G-215
Range	0....1bar to 0....1000bar
Accuracy	0.5%FS
Nonlinearity	0.2%FS
Reliability	0.05%FS
Output	4-20mA (2 Wire) , 0-5V; 0.5-4.5V
Input voltage	24(12~36)VDC (Amplify signal)
Operating temperature	-40~80°C
Compensated temperature	0~70°C
Overload pressure	150%FS
Medium material	stainless steel
Electric connection	1/2NPT conduit cable
Process connection	G1/4, G1/2, 1/2NPT, 1/4NPT, M12*1.5, etc (Customer design)

Electric Connection & wiring code

Electric connector	2 wire (4-20mA)			3 wire (0-10V, 0-5V, 0.5-4.5V)		
Hirschman (DIN)  Suitable \varnothing 22, \varnothing 26, \varnothing 38	Pin	Function	Color	Pin	Function	Color
	1	E+/S+	Red	1	E+	Red
	2	E-/S-	Black	2	S+	Blue
	3	-----	-----	3	E-/S-	White
M12, 4Pins 	Pin	Function	Color	Pin	Function	Color
	1	E+	Brown	1	E+	Brown
	2	-----	-----	2	-----	-----
	3	S+	Blue	3	S+	Blue

Pressure Transmitter Data Sheet

	4	-----	-----	4	E-/S-	White
Gland Cable  Suitable \varnothing 22, \varnothing 26, \varnothing 38	Function		Color		Color	
	E+		Red		Blue	
	S+		Black		Red	
	---		----		E-/S- White	

Ordering Guide							
Model	Range (bar)	Output	Screw Thread	Electric connection	Accuracy	Diameter (mm)	Other requirement
CMPT124B-215	*	*	*	*	*	*	---
Example: CMPT124B-215-50Bar-4/20mA-G1/2- 1/2NPT conduit cable							